

Technical specifications

45 CS

building dreams together



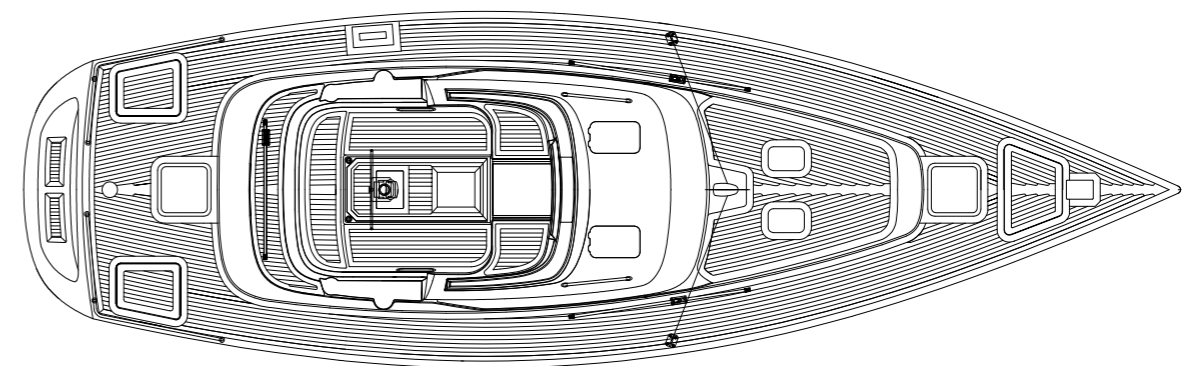
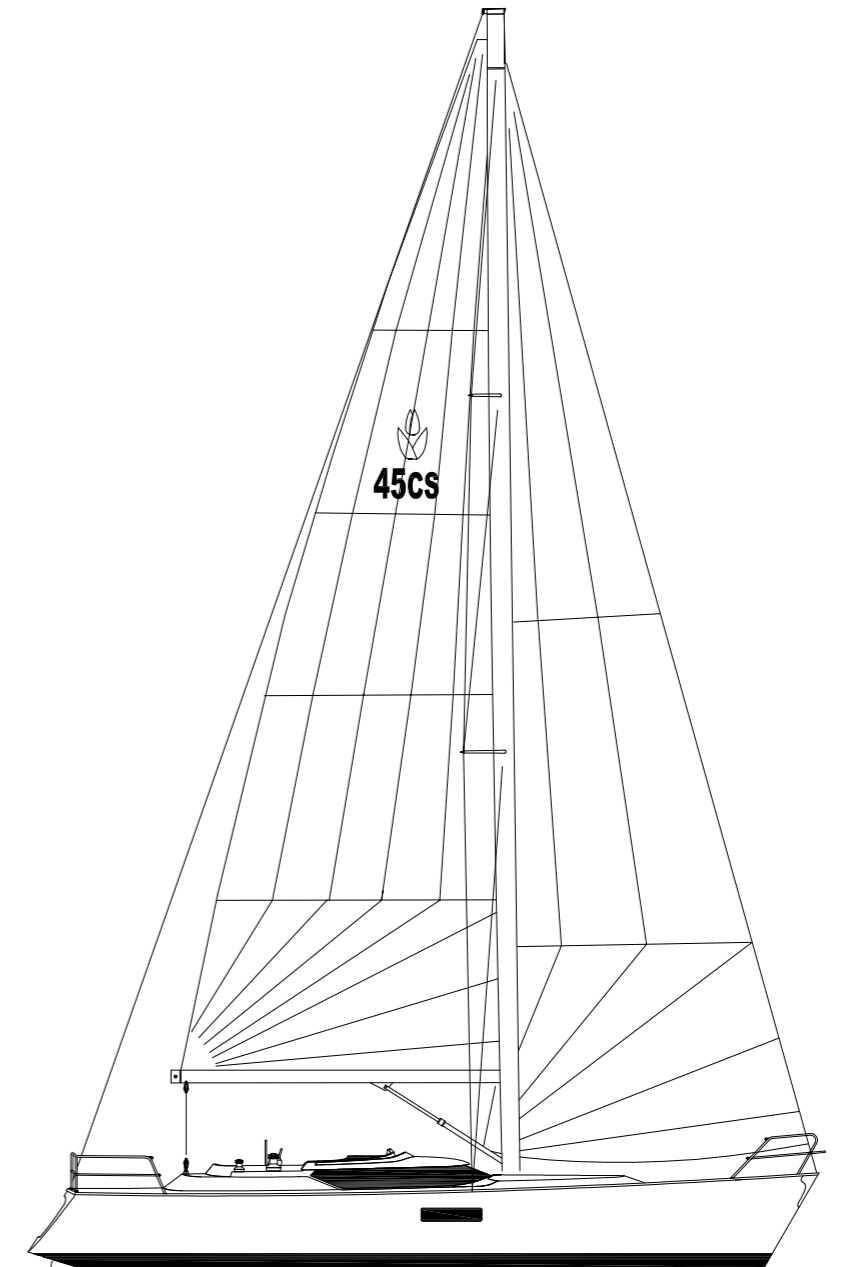
42CS 45CS 50CS 57CS 62CS 67CS 72CS 85CS 52MC

building dreams together

Together we make boating ambitions a reality... so you can embrace your own personal dream. Working closely with owners, every single Contest yacht, both motor and sail, is designed and detailed to match individual desires. Together we begin with meticulous preparation, involving specialists and suppliers for every aspect and element. Founded in 1959, and with the stability of the third generation of the same boatbuilding family, we run our yard in Medemblik, Holland with a highly skilled team of accomplished, caring craftsmen to hand-build yachts from 42ft to 85ft (13m-26m). A Contest yacht brings pride in performance and confidence in the roughest of conditions. Together the ideal combination.

Contest Yachts
Overleek 5
1671 GD Medemblik
The Netherlands
tel +31 (0)227 543 644
fax +31 (0)227 545 037
info@contestyachts.com
www.contestyachts.com

Sail plan & deck layout







Interior layout



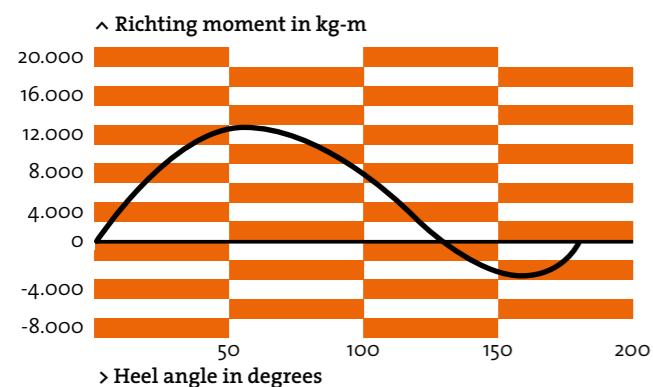
1

Main dimensions

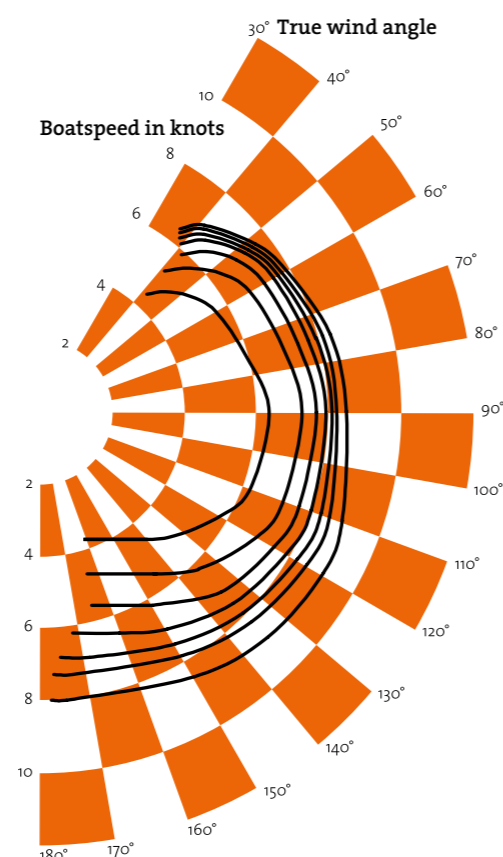
Specifications

Length overall	13.70 m	44.9 ft
Length waterline	11.64 m	38.19 ft
Maximum beam	4.10 m	13.3 ft
Displacement	13,500 kg	29,760 lbs
Draft bulb keel	1.95 m	6.40 ft
Ballast bulb keel	5,100 kg	11,244 lbs
Mast height above waterline	21.08 m	68.9 ft
Main sail	54 m ²	581 ft ²
Genoa 109%	49 m ²	527 ft ²
Fuel tank	286 ltr	63 imp. gal.
Water tank	420 ltr	92.4 imp. gal.
Engine, Yanmar	59 kW	80.3 hp

Stability curve



Polar performance diagram



2

Construction

2.1 General

Hull and deck are made of high quality materials. Several interior arrangements are available within the structural bulkheads and keel grid.

2.2 Hull

- ▶ Hull in sandwich, vacuum infused composite with the Conyplex vacuum infusion system®.
- ▶ Laminate consisting of quadraxial and biaxial E-glass for inner and outer skins, infused with vinylester resin.
- ▶ Local unidirectional E-glass reinforcements.
- ▶ Solid laminate in structural areas like the keel area.
- ▶ First layer after gelcoat is a special barrier coat.
- ▶ Structural bulkheads fully bonded to hull and deck.
- ▶ Two year warranty.
- ▶ Hull: gelcoat white.
- ▶ Stripe and waterlines: colour owner's choice.
- ▶ Antifouling: two layers.

2.3 Deck

- ▶ Deck in sandwich, vacuum infused composite with the Conyplex vacuum infusion system®.
- ▶ Deck: gelcoat white.
- ▶ Laminate consisting of quadraxial and biaxial E-glass for inner and outer skins.
- ▶ Local unidirectional E-glass reinforcements.
- ▶ Solid laminate in structural areas where deck equipment is fitted.
- ▶ Deck lockers and anchor locker in composite with gelcoat finish and aluminium teak covered deck hatches.
- ▶ 12 mm hand laid teak deck, toe rail, cockpit seats, cockpit floor and teak detailing around the cockpit.

2.4 Construction

- ▶ Vacuum infused composite structural bulkheads in sandwich, using the Conyplex vacuum infusion system®.
- ▶ Vacuum infused composite longitudinals in sandwich, using the Conyplex vacuum infusion system®.

2.5 Keel

- ▶ Performance keel with bulb in lead.
- ▶ Keel bolted through solid laminate using stainless steel bolts.
- ▶ Keel floors in sandwich, vacuum infused composite with the Conyplex vacuum infusion system®.

2.6 Rudder

- ▶ Fully balanced composite spade rudder.
- ▶ Fibre orientated rudder laminate, vacuum infused composite with the Conyplex vacuum infusion system®.
- ▶ Aluminium anodised rudderpost.
- ▶ JEFA rudder bearings.
- ▶ JEFA steering system rack and pinion.

3 Deck layout

3.1 Cockpit

- ▶ Large cockpit, suitable for six people with helmsman's position.
- ▶ Winches and sheets situated within reach of helmsman's position.
- ▶ Two alcoves for storage of sheets and other small deck gear.
- ▶ Pad eyes for safety harnesses mounted in cockpit.

3.2 Hatches and windows

- ▶ Portlights in hull.
- ▶ Chemical hardened, laminated panoramic windows in saloon.
- ▶ Opening skylight hatches in coach roof.
- ▶ Opening port lights in cockpit.
- ▶ Flush teak covered aluminium deck hatches.

3.3 Deck hardware and equipment

- ▶ Stainless steel 316 stem head fitting.
- ▶ Stainless steel 316 guardrails 62 cm high with two wires.
- ▶ Stainless steel 316 bathing ladder.
- ▶ Stainless steel 316 fillers.
- ▶ Stainless steel 316 handrails on cabin roof.
- ▶ Stainless steel 316 anti-chafe rails below mooring cleats.
- ▶ Stainless steel 316 mooring cleats; two cleats with two fairleads forward, two cleats amidships, two cleats aft and two fairleads on stern.
- ▶ Flagpole with stainless steel 316 support.
- ▶ Aluminium emergency tiller.
- ▶ Self-draining gas bottle locker in deck. Including one bottle with gas regulator valve. Extra space for second bottle in locker.
- ▶ Boat hook in aluminium stowed on lower shroud.
- ▶ Four fenders with socks and ropes.
- ▶ Four 13 m 16 mm mooring warps.
- ▶ Two 20 m 16 mm mooring warps.

3.4 Sailing hardware

- ▶ Deck fittings.
- ▶ Aluminium winches throughout.
- ▶ Two genoa winches.
- ▶ Two self-tailing halyard winches on mast.
- ▶ Winch handles.
- ▶ Foldable chain plate on deck for removable cutter stay.

3.5 Anchor system

- ▶ Integrated anchor launching system in bow.
- ▶ Electric anchor winch.
- ▶ 25 kg Delta anchor with 50 m galvanised 10 mm anchor chain.
- ▶ Anchor chain marked each 10m.

3.6 Steering system

- ▶ Composite steering pedestal with stainless steel steering wheel with leather cover.
- ▶ Compass.

4 Mast, rigging & sails

4.1 Mast

- ▶ Selden spars, keel stepped, sloop rigged with silver anodised finish.
- ▶ Swept back spreaders.
- ▶ Slab reefing system.
- ▶ Selden MDS Car system.
- ▶ LED navigation lights.
- ▶ Masthead light 3-colours with anchor light.
- ▶ Deck light.
- ▶ Boom light.
- ▶ Windex in mast top.

4.2 Rigging

- ▶ Standing rigging in stainless steel wire 1x19.
- ▶ Backstay tensioner.
- ▶ Rodkicker.
- ▶ Genoa manual furling system Furlex.
- ▶ Main sheet 12 mm with fine trim.
- ▶ Genoa sheets 14 mm, winches situated within reach of the helmsman.

4.3 Sails

- ▶ Mainsail, fully battened, slab reefing by North Sails.
- ▶ Lazy jacks and main sail cover.
- ▶ Furling genoa by North Sails.

5 Interior

5.1 General

As with all Contest Yachts the interior will be fully made at our own yard in Medemblik, with great attendance to flexibility and detailing.

5.2 Standard features

- ▶ Light oak joinery.
- ▶ Oak floor.
- ▶ Matt varnished.
- ▶ Chrome fittings throughout.
- ▶ Padded headbord in aft cabin.
- ▶ Diagonally sliding saloon table for easy access for comfortable lounging and dining.
- ▶ Two ottomans for occasional seating with release fitting for easy stowage while sailing.
- ▶ Shower stalls with thermostatic mixer.
- ▶ Doors with anti-rattle door locks.
- ▶ Corian worktops in galley.
- ▶ Corian tops in each head with washbasins.
- ▶ Design taps.
- ▶ Three-burner cooker with oven and grill fitted on gimbals (stainless steel).
- ▶ Quality upholstery, colour to owner's choice.
- ▶ Quality curtain blinds for portholes and skylight hatches.
- ▶ Quality curtain blinds for portholes.
- ▶ Sprung slats owner's cabin.
- ▶ Lee cloths in all berths.
- ▶ Overhead lights in all cabins.
- ▶ Dimmers on overhead lights in saloon.
- ▶ Red navigation light above chart table.
- ▶ Careful noise reduction throughout.
- ▶ Engine room well insulated.
- ▶ Comfortable mattresses in all cabins.
- ▶ Trotter box in wet locker for extra berth.
- ▶ Wet locker with drainage for stowage of foul weather gear.
- ▶ Transparent chart holder on top of sliding companionway hatch.
- ▶ 36-set (6 persons) of Contest Yachts porcelain crockery.
- ▶ 24-set (6 persons) of drinking glasses and bottle stowage in bar.
- ▶ Automatic lighting (30 seconds) when opening companionway hatch.
- ▶ Waste bin under companionway stairs.
- ▶ Extensive mirrors in heads.

6.1 Engine

- ▶ Spacious engine room with easy access from side passage.
- ▶ Yanmar 4JH80 59kW (80hp) 3200 rpm 4 cylinder turbo-charged common rail diesel engine.
- ▶ Indirect cooling.
- ▶ Yanmar SD60 sail drive.
- ▶ Separate main switch to enable service batteries to be used as starter battery.
- ▶ Single lever gears throttle control on steering pedestal.
- ▶ Engine panel fitted in cockpit including rev. counter, oil pressure- temperature- and charge alarm, start and stop buttons.
- ▶ Water cooled exhaust with double water lock.
- ▶ Three bladed propeller in bronze.
- ▶ Engine room insulated with combined drone- and sound absorbing insulation.
- ▶ Engine room ventilation by double electric ventilators and natural ventilation grills.

6.2 Fuel system

- ▶ Fuel tank capacity 286 litres.
- ▶ Drain pump on fuel tanks.
- ▶ Fuel filter with water separator. Acoustic and visual “water in fuel” alarm.
- ▶ Diesel tank level gauge on switch panel.

6.3 Fresh water system

- ▶ Pressurized hot & cold water system.
- ▶ Water tank capacity 420 litres.
- ▶ Water heater 40 litres with heat exchanger to engine and 750 W immersion heating element.
- ▶ Mixer taps in galley and heads.
- ▶ Water tank level gauge on switch panel.

6.4 Bilge system

- ▶ Electric bilge pump in keel sump, with automatic switch.
- ▶ Manual bilge pump in engine room.
- ▶ Water detection in saloon when heeling.
- ▶ Grey water pump equipped with flexible hose for water discharge in any compartment.
- ▶ Central discharge in engine room to reduce number of through hull fittings.

6.5 Black & grey water system

- ▶ Manual flush seawater toilet in forward head.
- ▶ Electric flush seawater toilet in aft head.
- ▶ Separate black water system in front and aft ship.
- ▶ Indicator on black water tank indicating full or empty.
- ▶ Shower stalls with automatic drain.
- ▶ Separate grey water system in front and aft ship.

6.6 Refridgeration system

- ▶ Refrigerator in stainless steel with front door.

6.7 Ventilation system

- ▶ Forced ventilation system in engine room.

6.8 Safety equipment

- ▶ Gas valve manual.
- ▶ Three foam fire extinguishers 2 kg.
- ▶ Fire blanket.
- ▶ Fire port in engine room wall, for portable fire extinguisher.

7.1 AC/DC systems

- ▶ 24 VDC and 230 VAC system on board.
- ▶ Dedicated technical area (electrical room) for switches and fuses.
- ▶ Standard energy pack:
 - ▶ Service batteries 170 Ah | 24 VDC
 - ▶ Start battery engine 50 Ah | 12 VDC
 - ▶ Battery charger start battery 10 A | 12 VDC
 - ▶ Monitoring display batteries
 - ▶ Alternator 125 A | 12 VDC start battery engine group
 - ▶ Second alternator 60 A | 24 VDC service battery group
 - ▶ 230V - 50 Hz shore power connection:
 - ▶ Shore power isolation transformer 3,5 kW | 16 A
 - ▶ Shore power socket for 230 VAC | 50 Hz shore power
 - ▶ Cable 25m with 3-pole CEE 16 A connector
- ▶ 230V socket in each cabin/compartment.
- ▶ Emergency engine start on service batteries.
- ▶ All sea cocks under waterline are grounded.

7.2 Main switch panel

- ▶ All main switches situated at the switch panel.
- ▶ All navigation lights with control LED's operated from the switch panel.
- ▶ Tank level gauges situated at the switch panel.
- ▶ Tank level gauges integrated in the touch screen.
- ▶ Alarms for:
 - ▶ Water in boat
 - ▶ Water in fuel
 - ▶ Battery level
 - ▶ Black water tanks
- ▶ Switch for navigation lights on engine/sailing/anchoring.

Owner's manual**Certification**

- ▶ The boat is CE certificated category A (unlimited ocean voyages).
- ▶ Lloyd's certificate on hull.

The Contest range



MAIN DIMENSIONS 42CS

Length overall	12.85 m	42.15 ft
Length waterline	11.76 m	38.63 ft
Maximum beam	4.15 m	13.61 ft
Displacement	11,000 kg	24,251 lbs



MAIN DIMENSIONS 45CS

Length overall	13.70 m	44.9 ft
Length waterline	11.64 m	38.19 ft
Maximum beam	4.10 m	13.3 ft
Displacement	13,500 kg	27,760 lbs



MAIN DIMENSIONS 50CS

Length overall	14.99 m	49.18 ft
Length waterline	13.13 m	43.08 ft
Maximum beam	4.58 m	15.03 ft
Displacement	17,500 kg	38,580 lbs



MAIN DIMENSIONS 57CS

Length overall	17.23 m	56.5 ft
Length waterline	15.55 m	51.0 ft
Maximum beam	5.12 m	16.8 ft
Displacement	27,900 kg	61,508 lbs



MAIN DIMENSIONS 62CS

Length overall	19.18 m	63.9 ft
Length waterline	16.80 m	55.1 ft
Maximum beam	5.45 m	17.9 ft
Displacement	31,000 kg	68,563 lbs



MAIN DIMENSIONS 67CS

Length overall	21.26 m	69.75 ft
Length waterline	21.71 m	71.22 ft
Maximum beam	5.65 m	18.5 ft
Displacement	39,500 kg	87,081 lbs



MAIN DIMENSIONS 72CS

Length overall	21.80 m	71.5 ft
Length waterline	18.99 m	62.3 ft
Maximum beam	5.70 m	18.7 ft
Displacement	44,300 kg	97,664 lbs



MAIN DIMENSIONS 85CS

Length overall	25.82 m	84.71 ft
Length waterline	23.17 m	76.02 ft
Maximum beam	6.40 m	21 ft



MAIN DIMENSIONS 52MC FASTLANE

Length overall	15.93 m	52.26 ft
Length waterline	14.60 m	47.9 ft
Maximum beam	4.60 m	15.09 ft
Displacement	16,600 kg	36,596 lbs
Maximum height above waterline	2.88 m	9.45 ft



MAIN DIMENSIONS 52MC FLYBRIDGE

Length overall	15.93 m	52.26 ft
Length waterline	14.60 m	47.9 ft
Maximum beam	4.60 m	15.09 ft
Displacement	18,500 kg	40,785 lbs
Maximum height above waterline	3.74 m	12.27 ft



MAIN DIMENSIONS 52MC OPEN SPORT

Length overall	15.93 m	52.26 ft
Length waterline	14.60 m	47.9 ft
Maximum beam	4.60 m	15.09 ft